

## CERTIFICATE OF APPROVAL No CF 5675

This is to certify that, in accordance with  
TS00 General Requirements for Certification of Fire Protection Products  
The undermentioned products of

### ATHMER OHG

Sophienhammer, D-59757, Arnsberg-Muschede  
TEL: 49 2932 477 500

Have been assessed against the requirements of the Technical Schedule(s)  
denoted below and are approved for use subject to the conditions  
appended hereto:

#### CERTIFIED PRODUCT

Athmer Schall-Ex L-15/30 WS, Schall-Ex L-15/30 OS,  
Schall-Ex XL-15/30 WS, Schall-Ex XL-15/30 OS,  
Schall-Ex L-15 FS, Schall-Ex Duo L-15 WS,  
Schall-Ex Duo L-15 OFS, Schall-Ex Duo L-15/31 OS,  
Schall-Ex Duo L-15/30 VS, Schall-Ex Duo L-15/28 OS,  
Schall-Ex Duo L-15 QF, Schall-Ex L-14/35 EK,  
Schall-Ex Ultra WS double-sided,  
Schall-Ex Ultra WS single-sided,  
Schall-Ex Ultra OS double-sided,  
Schall-Ex Ultra OS single-sided, Stadi L-24/20 WS,  
Stadi L-24/20 OS, Stadi L-24/20 TS,  
Isolporte Standard Silicone double-sided,  
Isolporte Standard Silicone single-sided,  
Isolporte Omega double-sided and  
Isolporte Omega single-sided Smoke and Acoustic  
Seals.

Signed and sealed for and on behalf of Exova (UK) Limited trading as Warrington Certification



Paul Duggan  
Certification Manager

#### TECHNICAL SCHEDULE

TS21 The Contribution of  
Edge Seals to the Control of  
Smoke Leakage via Door  
Assemblies



Issued: 28<sup>th</sup> September 2018  
Next audit test due: 28/09/2019  
Frequency: Annually  
Valid to: 27<sup>th</sup> September 2023



## CERTIFICATE No CF 5675

### ATHMER OHG

**Athmer Schall-Ex L-15/30 WS, Schall-Ex L-15/30 OS, Schall-Ex XL-15/30 WS, Schall-Ex XL-15/30 OS, Schall-Ex L-15 FS, Schall-Ex Duo L-15 WS, Schall-Ex Duo L-15 OFS, Schall-Ex Duo L-15/31 OS, Schall-Ex Duo L-15/30 VS, Schall-Ex Duo L-15/28 OS, Schall-Ex Duo L-15 QF, Schall-Ex L-14/35 EK, Schall-Ex Ultra WS double sided, Schall-Ex Ultra WS single sided, Schall-Ex Ultra OS double sided, Schall-Ex Ultra OS single sided, Stadi L-24/20 WS, Stadi L-24/20 OS, Stadi L-24/20 TS, Isolporte Standard Silicone double sided, Isolporte Standard Silicone single sided, Isolporte Omega double sided and Isolporte Omega single sided Smoke and Acoustic Seals.**

1. This certification is provided to the client for their own purposes and we cannot opine on whether it will be accepted by Building Control authorities or any other third parties for any purpose.
2. The Athmer seals approved in this certificate are aluminium cased automatic threshold seals. They are used for sealing the threshold of door assemblies against leakage of ambient temperature smoke, as defined in BS 476: Part 31.1: 1983.
3. Within BS 9999: 2008, a fire door required to resist the passage of smoke at ambient temperature conditions should, when tested in accordance with BS 476: Section 31.1 with the threshold taped and subjected to a pressure of 25 Pa, have a leakage not exceeding 3 m<sup>3</sup>/m/h. The threshold gap should be sealed either by a seal either with a leakage rate not exceeding 3m<sup>3</sup>/m/h at 25 Pa or just contacting the floor. Where this is impracticable the threshold gap should not exceed 3 mm at any point.
4. The door seals are approved on the basis of:
  - i) Initial type testing
  - ii) A design appraisal against TS21
  - iii) Certification of quality management system to ISO 9001: 2008.
  - iv) Inspection and surveillance of factory production control
  - v) Audit testing
7. This approval certifies that the above seals are suitable for use with single-acting door assemblies required to restrict smoke leakage at ambient temperatures as defined in Appendix B of Approved Document B, 'Fire Safety' to the Building Regulations 1991. It is applicable to latched and unlatched, single leaf and double leaf assemblies consisting of timber faced and edged leaves with timber, cellulosic or mineral cores in timber frames with or without intumescent edge seals (Code ITT and TT respectively). It is only applicable to assemblies that have been approved, or have been shown by test, to achieve the required period of fire resistance.

Signed  
C/032



Page 2 of 6

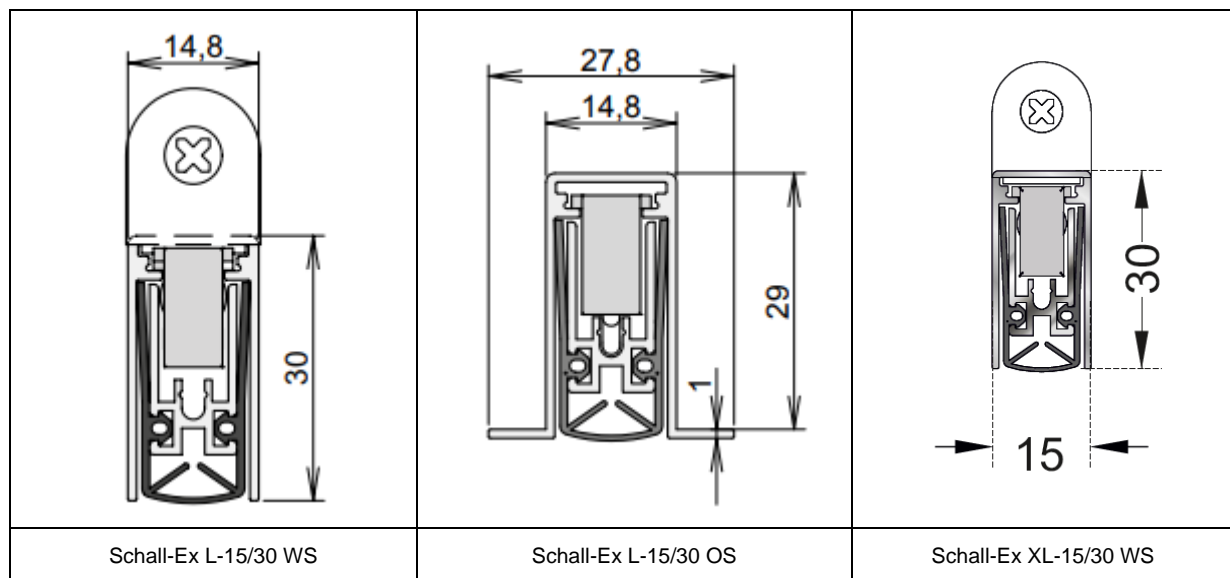
Issued: 28<sup>th</sup> September 2018  
Valid to: 27<sup>th</sup> September 2023

## CERTIFICATE No CF 5675 ATHMER OHG

**Athmer Schall-Ex L-15/30 WS, Schall-Ex L-15/30 OS, Schall-Ex XL-15/30 WS, Schall-Ex XL-15/30 OS, Schall-Ex L-15 FS, Schall-Ex Duo L-15 WS, Schall-Ex Duo L-15 OFS, Schall-Ex Duo L-15/31 OS, Schall-Ex Duo L-15/30 VS, Schall-Ex Duo L-15/28 OS, Schall-Ex Duo L-15 QF, Schall-Ex L-14/35 EK, Schall-Ex Ultra WS double sided, Schall-Ex Ultra WS single sided, Schall-Ex Ultra OS double sided, Schall-Ex Ultra OS single sided, Stadi L-24/20 WS, Stadi L-24/20 OS, Stadi L-24/20 TS, Isolporte Standard Silicone double sided, Isolporte Standard Silicone single sided, Isolporte Omega double sided and Isolporte Omega single sided Smoke and Acoustic Seals.**

8. The seals shall be uninterrupted and fixed to the bottom edge of door leaves. Double leaf door assemblies shall additionally incorporate a threshold seal to both door leaves. The seals shall be installed in accordance with the manufacturer's instructions.
9. The approval relates to ongoing production. Product and/or its immediate packaging is identified with the manufacturers' name, the product name or number, the CERTIFIRE name or name and mark, together with the CERTIFIRE certificate number and application where appropriate.

**Figure 1. Drawings of seals**



Signed  
C/032



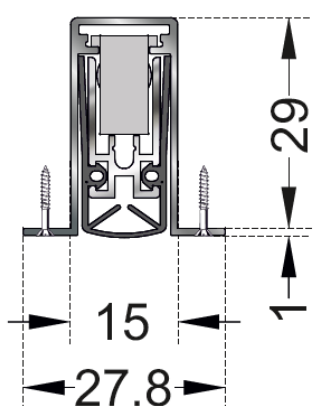
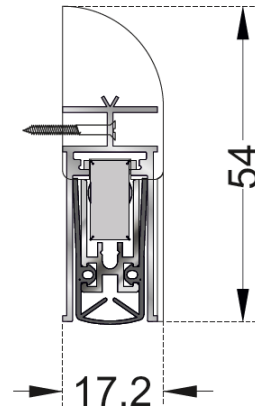
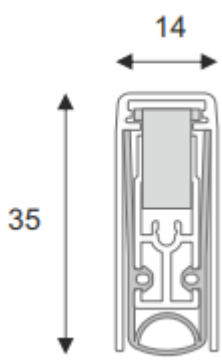
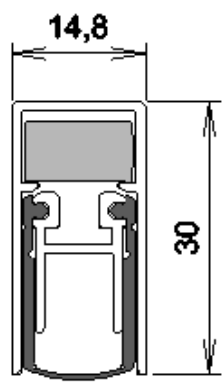
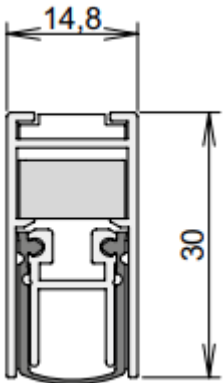
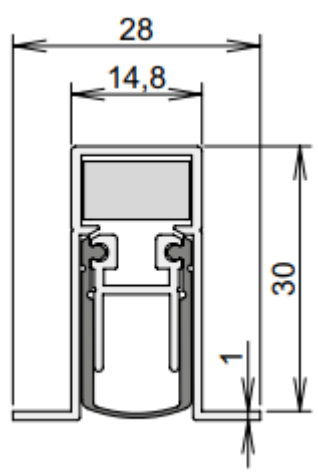
Page 3 of 6

Issued: 28<sup>th</sup> September 2018  
Valid to: 27<sup>th</sup> September 2023

## CERTIFICATE No CF 5675 ATHMER OHG

Athmer Schall-Ex L-15/30 WS, Schall-Ex L-15/30 OS, Schall-Ex XL-15/30 WS, Schall-Ex XL-15/30 OS, Schall-Ex L-15 FS, Schall-Ex Duo L-15 WS, Schall-Ex Duo L-15 OFS, Schall-Ex Duo L-15/31 OS, Schall-Ex Duo L-15/30 VS, Schall-Ex Duo L-15/28 OS, Schall-Ex Duo L-15 QF, Schall-Ex L-14/35 EK, Schall-Ex Ultra WS double sided, Schall-Ex Ultra WS single sided, Schall-Ex Ultra OS double sided, Schall-Ex Ultra OS single sided, Stadi L-24/20 WS, Stadi L-24/20 OS, Stadi L-24/20 TS, Isolporte Standard Silicone double sided, Isolporte Standard Silicone single sided, Isolporte Omega double sided and Isolporte Omega single sided Smoke and Acoustic Seals.

**Figure 1 (Continued). Drawings of seals**

		
Schall-Ex XL-15/30 OS	Schall-Ex L-15 FS	Schall-Ex L-14/35 EK
		
Schall-Ex Duo L-15 WS	Schall-Ex Duo L-15 OFS	Schall-Ex Duo L-15/31 OS

Signed  
C/032




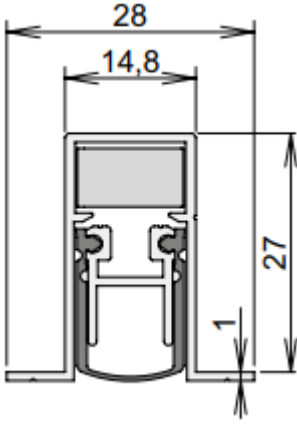
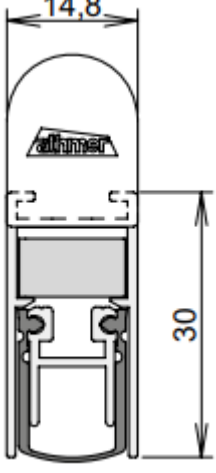
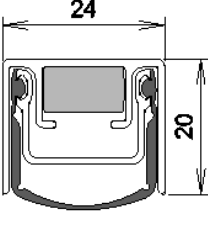
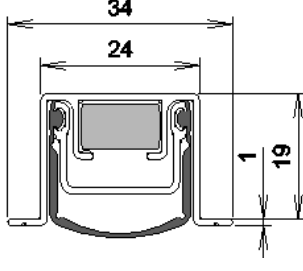
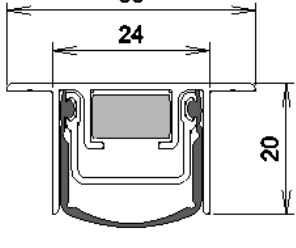
Page 4 of 6

Issued: 28<sup>th</sup> September 2018  
Valid to: 27<sup>th</sup> September 2023

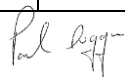
## CERTIFICATE No CF 5675 ATHMER OHG

**Athmer Schall-Ex L-15/30 WS, Schall-Ex L-15/30 OS, Schall-Ex XL-15/30 WS, Schall-Ex XL-15/30 OS, Schall-Ex L-15 FS, Schall-Ex Duo L-15 WS, Schall-Ex Duo L-15 OFS, Schall-Ex Duo L-15/31 OS, Schall-Ex Duo L-15/30 VS, Schall-Ex Duo L-15/28 OS, Schall-Ex Duo L-15 QF, Schall-Ex L-14/35 EK, Schall-Ex Ultra WS double sided, Schall-Ex Ultra WS single sided, Schall-Ex Ultra OS double sided, Schall-Ex Ultra OS single sided, Stadi L-24/20 WS, Stadi L-24/20 OS, Stadi L-24/20 TS, Isolporte Standard Silicone double sided, Isolporte Standard Silicone single sided, Isolporte Omega double sided and Isolporte Omega single sided Smoke and Acoustic Seals.**

**Figure 1 (Continued). Drawings of seals**

		
Schall-Ex Duo L-15/30 VS	Schall-Ex Duo L-15/28 OS	Schall-Ex Duo L-15 QF
		
Stadi L-24/20 WS	Stadi L-24/20 OS	Stadi L-24/20 TS

Signed  
C/032



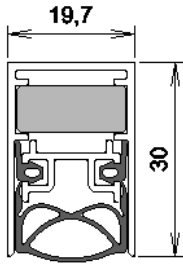
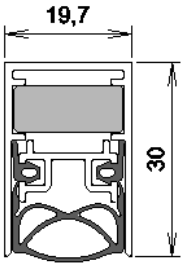
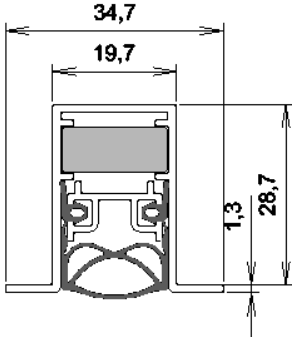
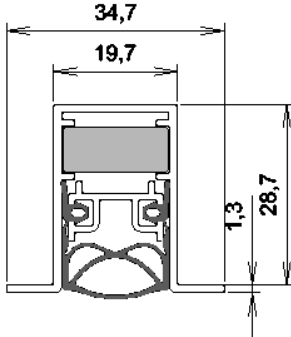
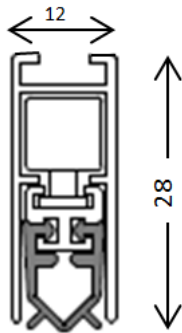
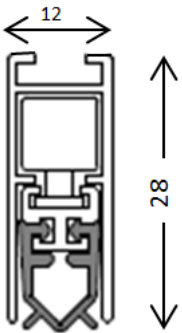
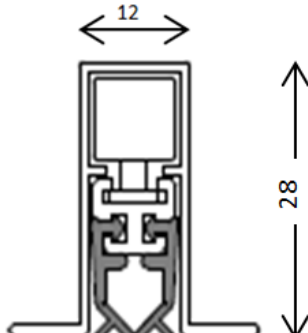
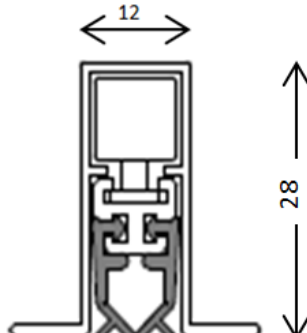
Page 5 of 6

Issued: 28<sup>th</sup> September 2018  
Valid to: 27<sup>th</sup> September 2023

## CERTIFICATE No CF 5675 ATHMER OHG

**Athmer Schall-Ex L-15/30 WS, Schall-Ex L-15/30 OS, Schall-Ex XL-15/30 WS, Schall-Ex XL-15/30 OS, Schall-Ex L-15 FS, Schall-Ex Duo L-15 WS, Schall-Ex Duo L-15 OFS, Schall-Ex Duo L-15/31 OS, Schall-Ex Duo L-15/30 VS, Schall-Ex Duo L-15/28 OS, Schall-Ex Duo L-15 QF, Schall-Ex L-14/35 EK, Schall-Ex Ultra WS double sided, Schall-Ex Ultra WS single sided, Schall-Ex Ultra OS double sided, Schall-Ex Ultra OS single sided, Stadi L-24/20 WS, Stadi L-24/20 OS, Stadi L-24/20 TS, Isolporte Standard Silicone double sided, Isolporte Standard Silicone single sided, Isolporte Omega double sided and Isolporte Omega single sided Smoke and Acoustic Seals.**

**Figure 1 (Continued). Drawings of seals**

			
The Schall-Ex Ultra WS double sided	Schall-Ex Ultra WS single sided	Schall-Ex Ultra OS double sided	Schall-Ex Ultra OS single sided
			
Isolporte Standard Silicone single sided	Isolporte Standard Silicone double sided	Isolporte Omega single sided	Isolporte Omega double sided

Signed  
C/032



Page 6 of 6

Issued: 28<sup>th</sup> September 2018  
Valid to: 27<sup>th</sup> September 2023