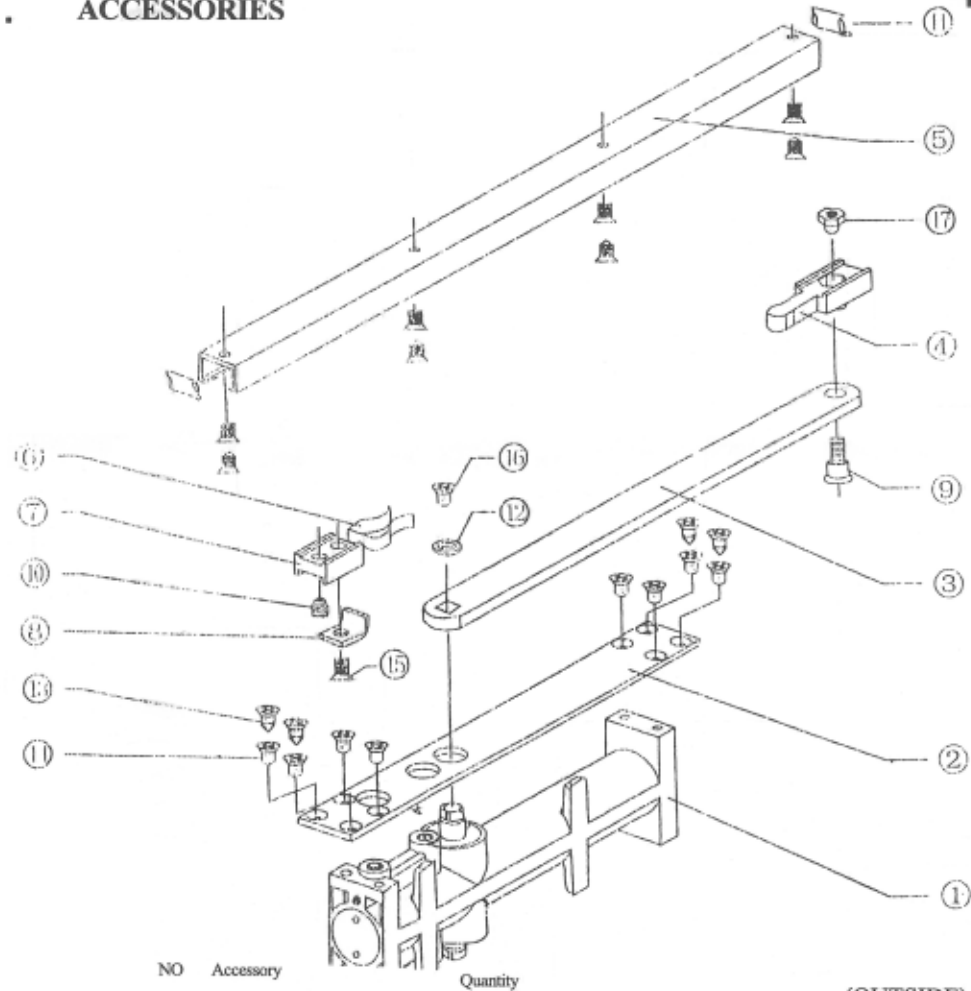
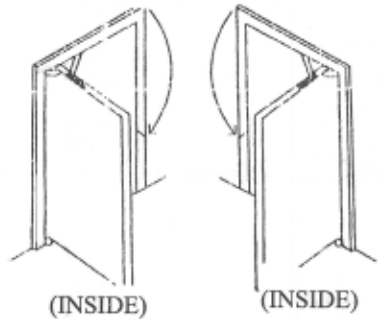


CONCEALED DOOR CLOSER INSTALLATION AND INSTRUCTION

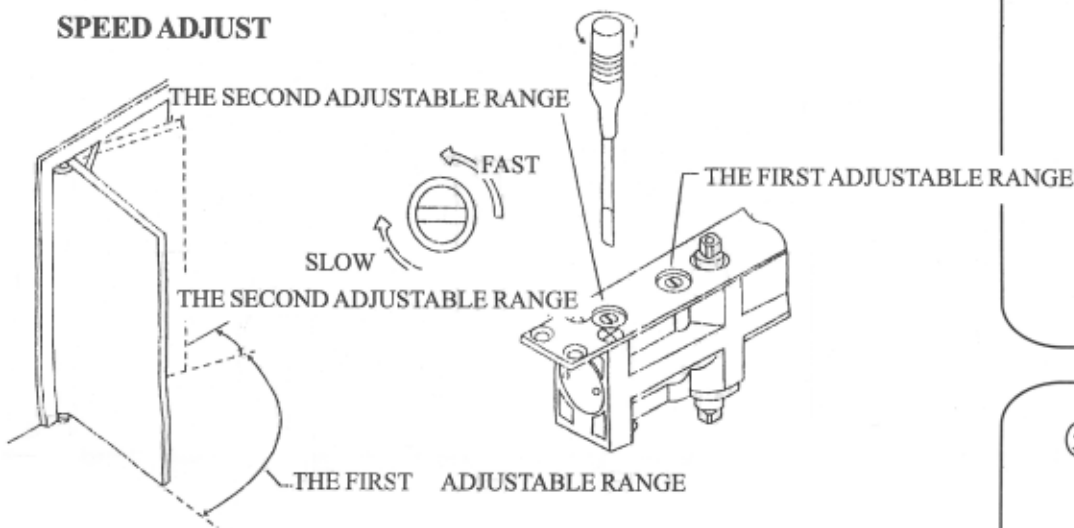
1. ACCESSORIES



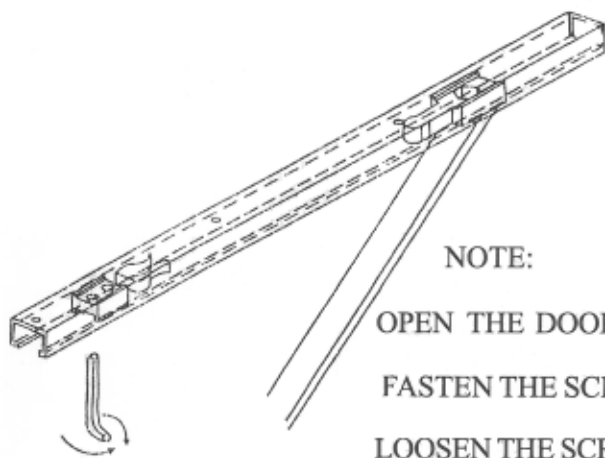
NO	Accessory	Quantity	(OUTSIDE) LEFT-HAND DOOR	(OUTSIDE) RIGHT-HAND DOOR
1	Body	1		
2	STATOR	1		
3	ARM	1		
4	SLIDE PIN	1		
5	SLIDE RAIL	1		
6	SPRING	1		
7	STATOR PALLET	1		
8	TUP PALLET	1		
9	SCREW	1		
10	hexagram screw M8*10	1		
11	SLIHE PALLET	2	RIGHT-HAND DOOR	LEFT-HAND DOOR
12	GASKET	1		
13	screw ST 4.8*25	8		
14	screw M5*14	12		
			15 screw M6*8	
			16 screw M5*12	
			17 Screw	



2. SPEED ADJUST



3. OPENING DEGREE (STOP DEGREE)



4. BODY INSTALLATION FOR LEFT-HAND DOOR AND RIGHT-HAND DOOR

