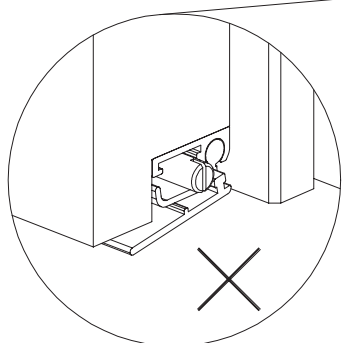
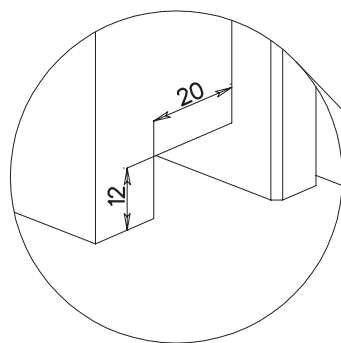
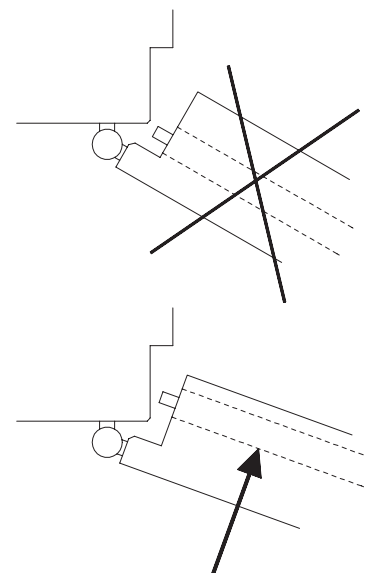
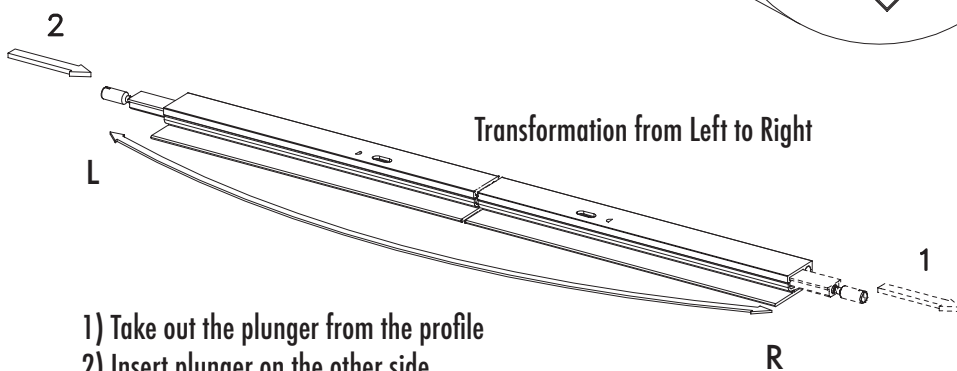
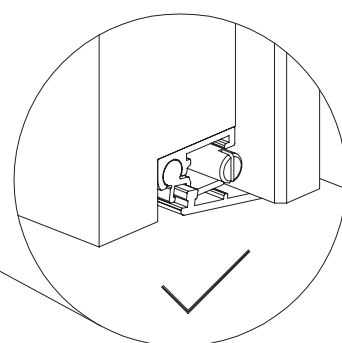


1

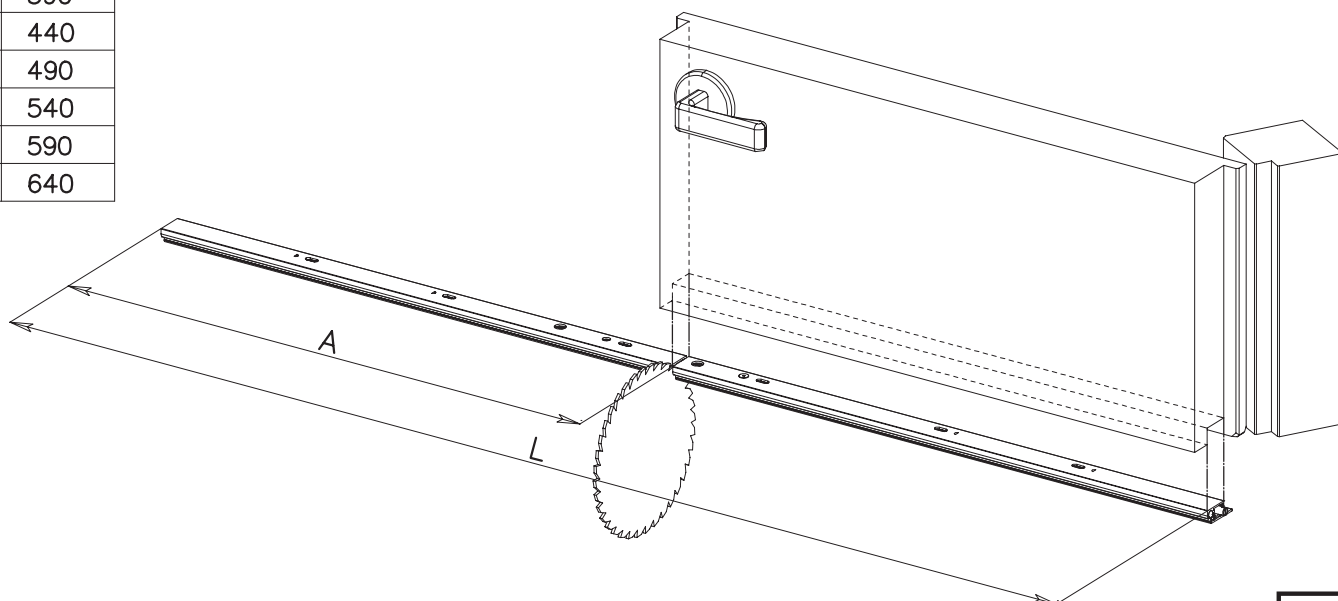


WARNING !

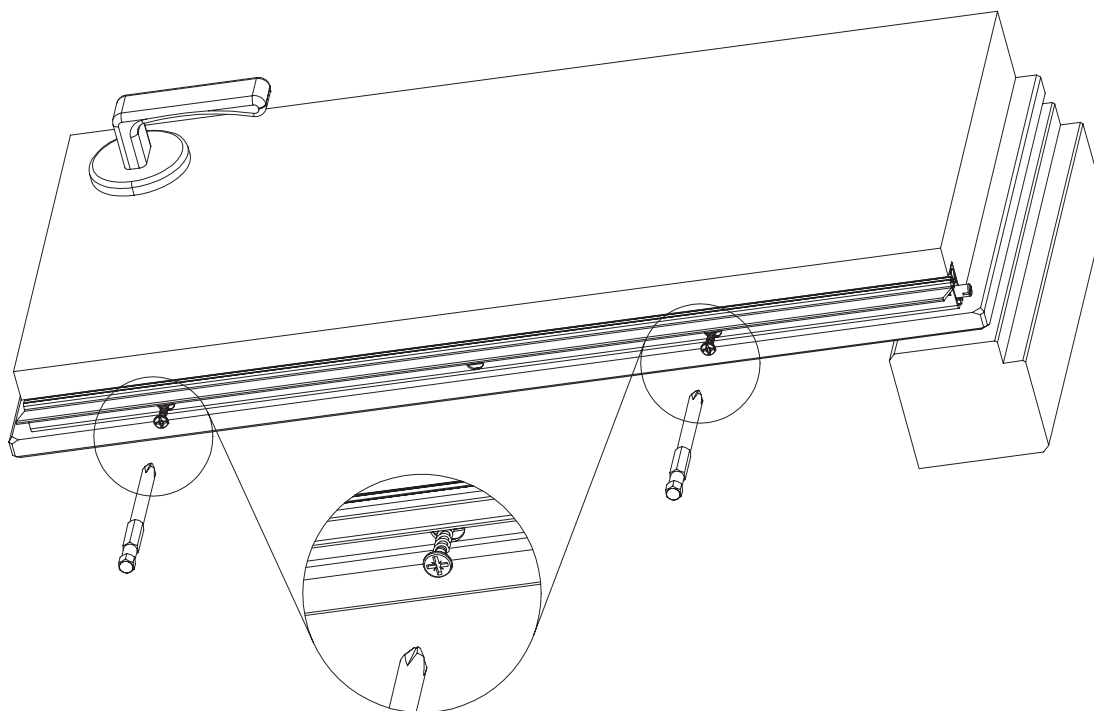


L	A
330	90
430	160
530	220
630	240
730	290
830	340
930	390
1030	440
1130	490
1230	540
1330	590
1430	640

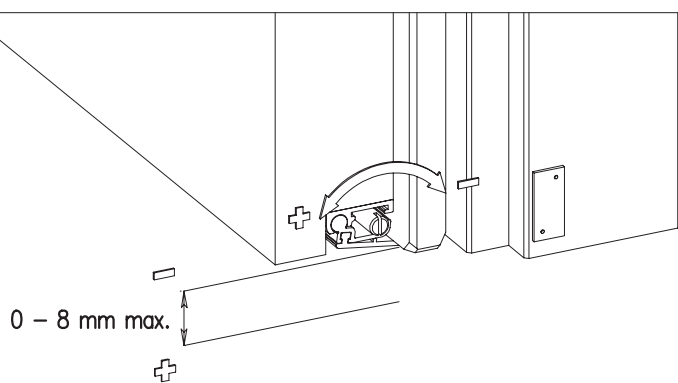
- 1) Take out the plunger from the profile
- 2) Insert plunger on the other side



2



3



A

Close the gap between door bottoms on 2 leaf doors

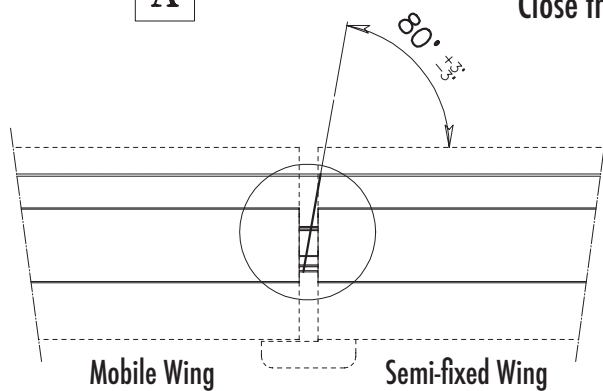
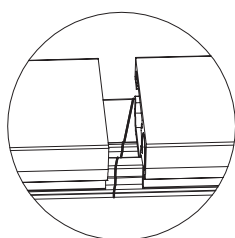


fig. 1A



Leave the gaskets 10mm longer than the aluminum profile.
Cut them with an angle similar to the one on fig.1A.
Check if the contact between the two gaskets is correct.