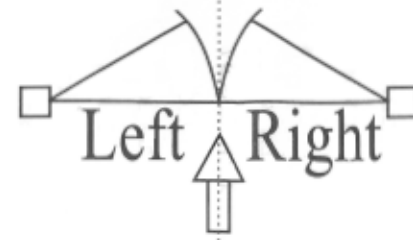
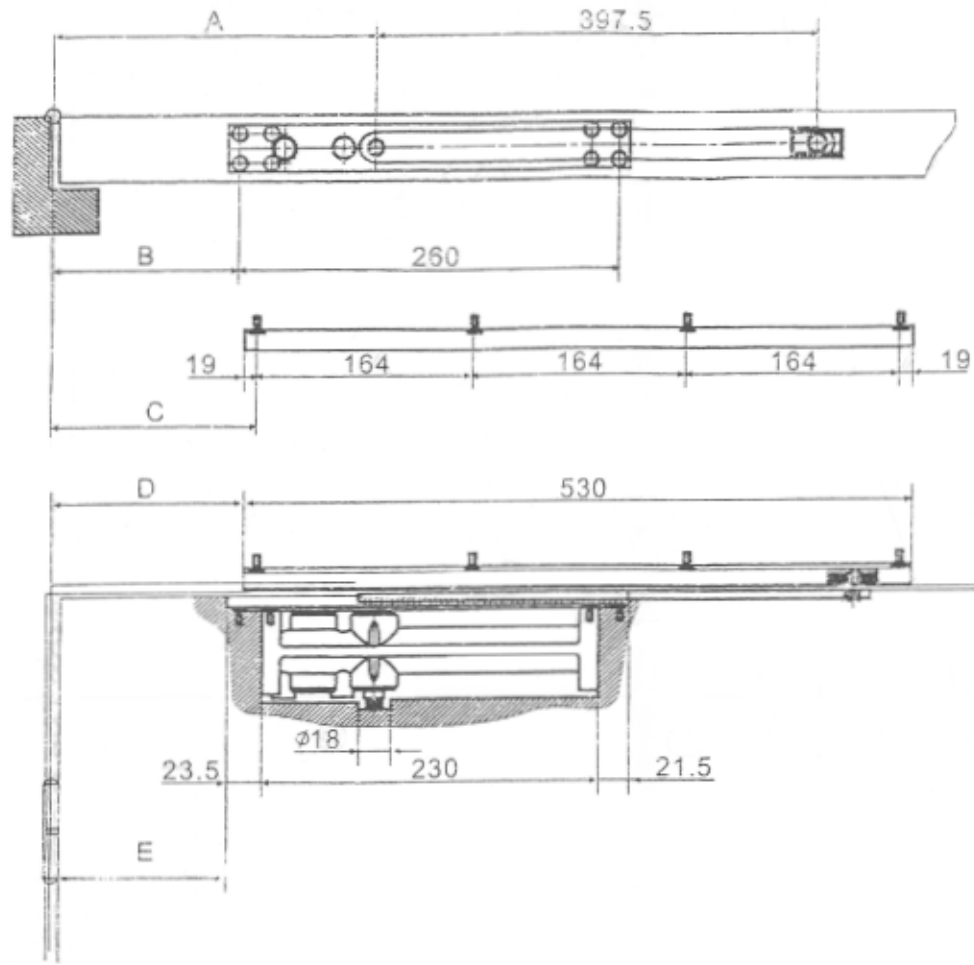
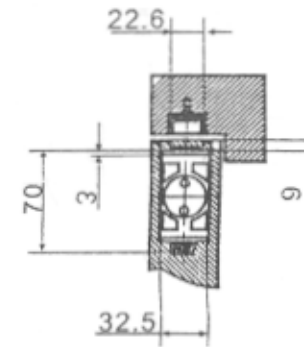
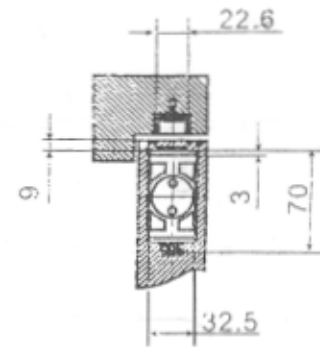


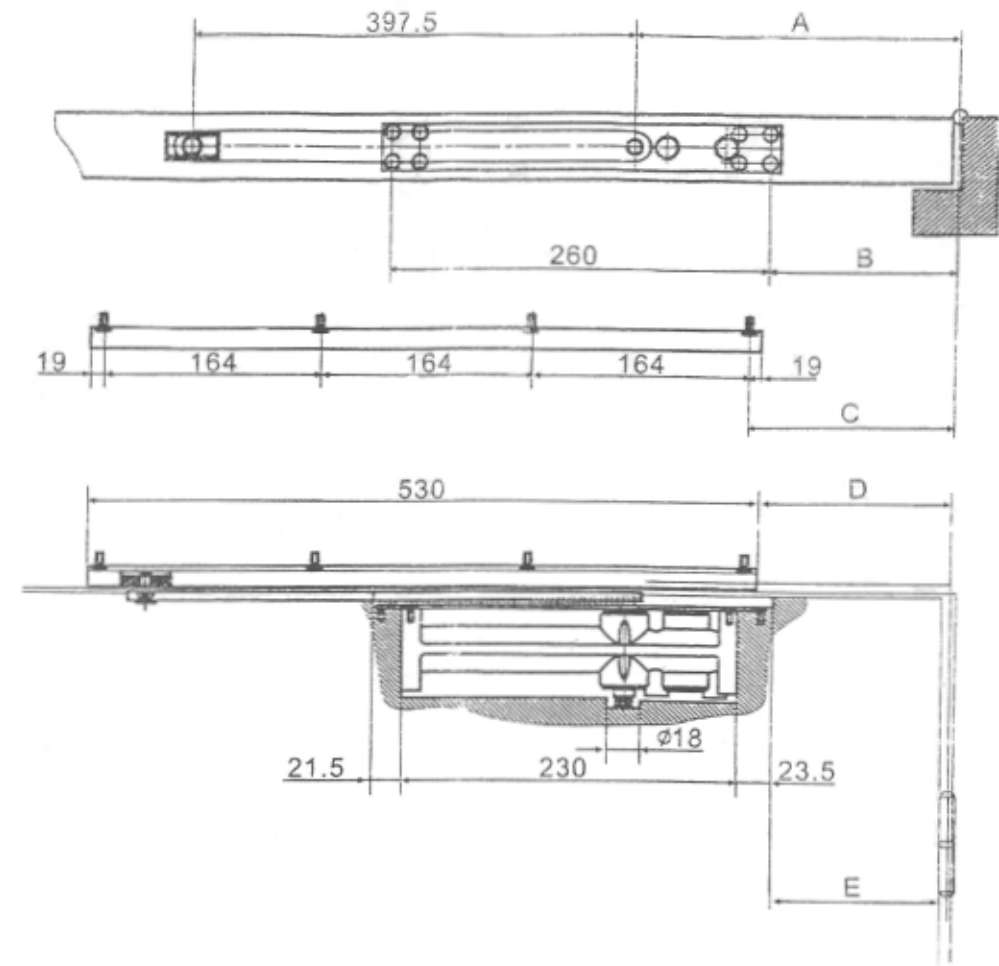
## Left-Hand Door Installation



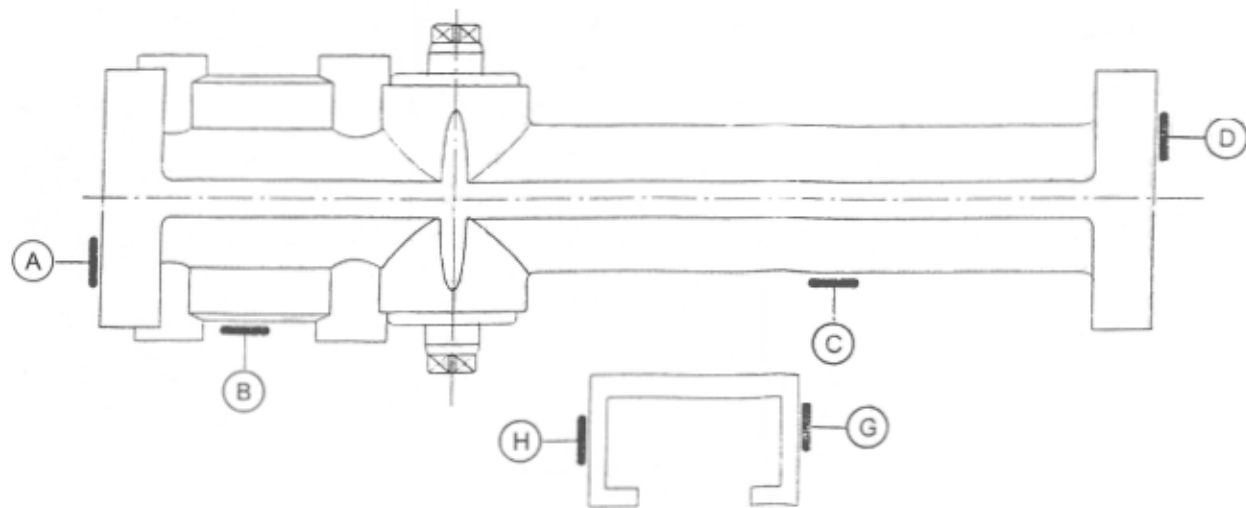
ITEM	DEMENSION	A	B	C	D	E
2#		225	132.5	147	127	124
3#		255	162.5	147	157	154



## Right-Hand Door Installation



Heat insulator must be able to keep in 1/2 hour while meeting fire  
If for fire-prevention requirements.



Heat insulator  
filling dimension

A=30×55

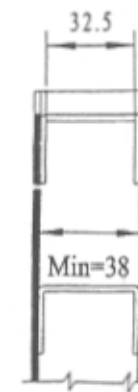
B=60×30

C=115×30

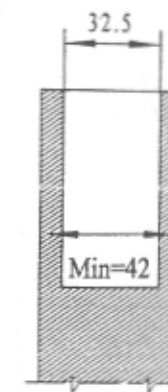
D=30×55

G=13×456

H=13×456



Metal Door



Wooden Door

Gently adjust two valves until satisfactory, while two other invalid  
valves must be closed before installation.

- Width is only 32mm, suit for all kinds doors' installation.
- Specially designed for both left-Hand Door and Right-Hand Door.
- Two separate valves with adjustable closing & latching speed.
- Optional Hold-open or Non-Hold-open.

Item	Suit for Max Door Weight (kg)	Dimension for Door(mm)
102#	50	800-950
103#	70	800-1050